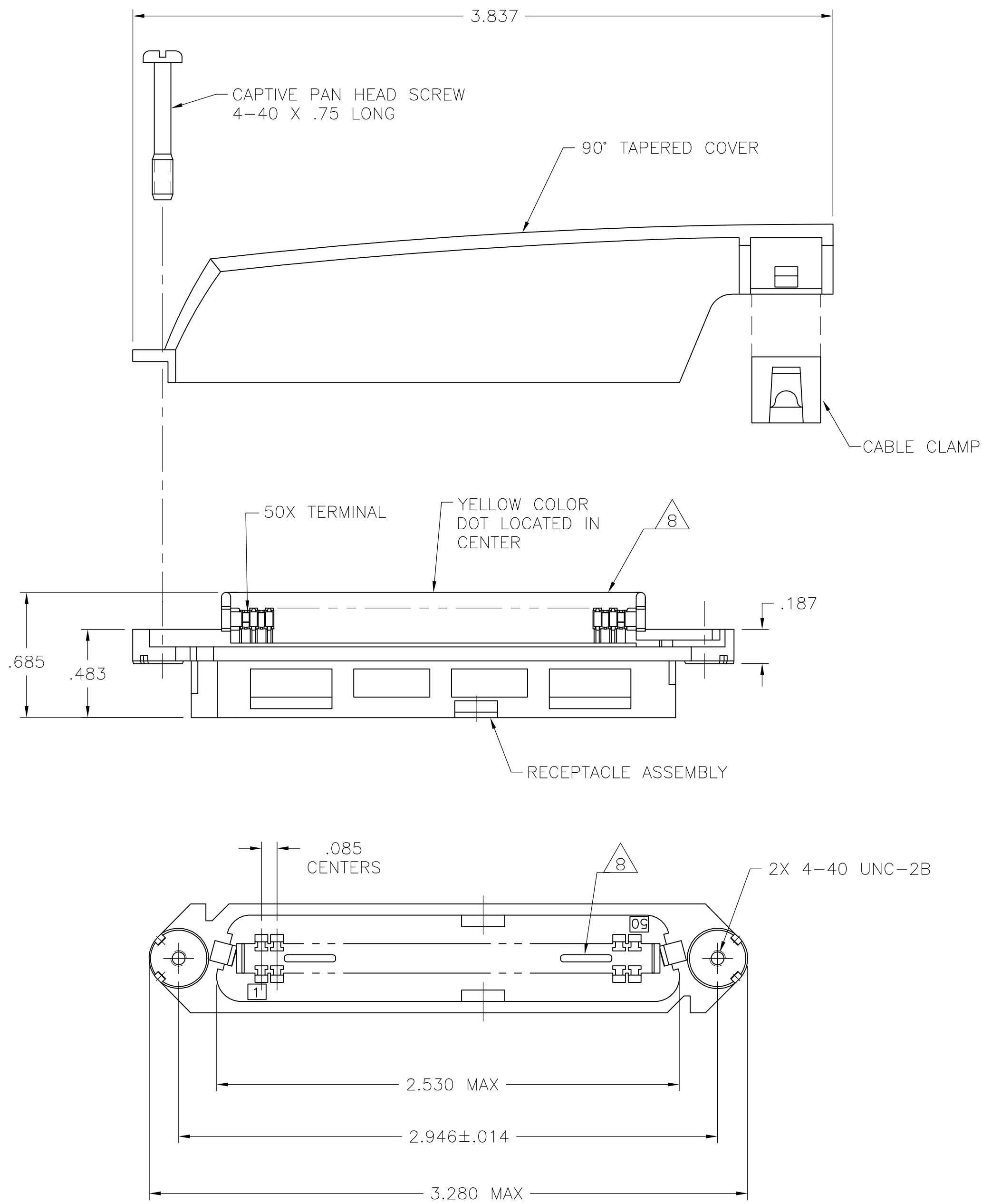


THIS DRAWING IS UNPUBLISHED. RELEASED FOR PUBLICATION
 © COPYRIGHT BY TYCO ELECTRONICS CORPORATION. ALL RIGHTS RESERVED.

LOC	DIST	REVISIONS					
GP	00	P	LTR	DESCRIPTION	DATE	DWN	APVD
		B		REVISED PER ECO-08-007327	02OCT08	BM	WM



1. THE CONTACT SURFACES OF THE TERMINALS ARE COATED WITH LUBRICANT.
2. ALL DIMENSIONS ARE SHOWN FOR REFERENCE ONLY UNLESS OTHERWISE SPECIFIED.
3. MATERIAL:
HOUSING, COVERS AND CABLE CLAMP - THERMOPLASTIC, BLACK.
TERMINALS - PHOS BRONZE.
HARDWARE - STEEL.
4. FINISH:
TERMINALS - PLATED WITH .000030 MIN GOLD, OR GOLD FLASH OVER PALLADIUM NICKEL PLATE, .000030 MIN TOTAL ON MATING SURFACE. .000050 MIN NICKEL UNDERPLATE OVER ENTIRE TERMINAL.
HARDWARE - ZINC PLATED.
5. COVER AND HARDWARE SHIPPED UNASSEMBLED.
6. WIRE SIZE: 26-27-28 AWG 7 STRANDS OF COPPER CONDUCTORS. MAXIMUM INSULATION DIAMETER OF .045 IS ACCEPTABLE FOR MOST APPLICATIONS.
7. KIT SHIPPED IN POLY BAG FORM.
8. CORING MAY OR MAY NOT APPEAR AND IS AT THE DISCRETION OF TYCO ENGINEERING.

.350 .425	BLACK	5552403-1
CABLE RANGE	COLOR	PART NUMBER

THIS DRAWING IS A CONTROLLED DOCUMENT.		DWN B. MCMASTER	30SEP05	Tyco Electronics Corporation Harrisburg, PA 17105-3608
DIMENSIONS: INCHES		CHK W. MILLHIMES	30SEP05	
TOLERANCES UNLESS OTHERWISE SPECIFIED:		APVD W. MILLHIMES	30SEP05	
0 PLC ± - 1 PLC ± - 2 PLC ± - 3 PLC ± - 4 PLC ± - ANGLES ± - FINISH		NAME	PRODUCT SPEC	
MATERIAL FINISH		APPLICATION SPEC		RECEPTACLE KIT, 50 POSITION, E-SLOT, SCREW LOCK, CABLE TO CABLE CHAMP-LOK
THIS DRAWING IS A CONTROLLED DOCUMENT. CUSTOMER DRAWING		WEIGHT	-	SIZE A2
SCALE 2:1		CAGE CODE	00779	DRAWING NO C=5552403
SHEET 1 of 1		RESTRICTED TO	-	REV B

5552403